

Product

Parallel Generator SVO-03

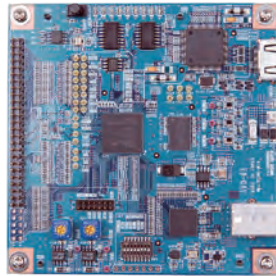
■ Over View

SVO-03 is a camera emulation board that converts / outputs video signals input from USB3.0 (Vendor Class) or HDMI to parallel video signals.

Video timing such as blanking area and frame rate can be set arbitrarily.

■ Specification

- Supports parallel output up to 16-bit 150MHz
- Input from USB3.0 (Vendor Class) or HDMI
- Compatible with 1.9Gbps automotive serializer



MIPI Generator SVO-03-MIPI

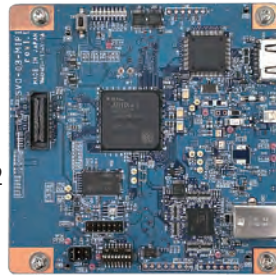
■ Over View

SVO-03-MIPI is a camera emulation board that converts / outputs video signals input from USB3.0 (Vendor Class) or HDMI to MIPI CSI-2 video signals.

Video timing such as blanking area and frame rate can be set arbitrarily.

■ Specification

- MIPI CSI-2 supports up to 1Gbps / lane
- Input from USB3.0 (Vendor Class) or HDMI
- Compatible with 4Gbps automotive serializer



SVO series common specifications

- Application software: SVOGenerator&SVOCtl,
- Test pattern output function

SV series common specifications

- Board dimensions: 101.6 x 101.6 x 25.7 (mm),
- Board power supply: USB3.0 bus power

Parallel Monitoring board SVM-03

■ Over View

SVM-03 is a board for displaying and recording video signals of the parallel interface.

The output destination is HDMI monitor or USB3.0 (UVC) / PC.

■ Specification

- Supports parallel input up to 16-bit 150MHz
- Output to USB3.0 (UVC) or HDMI
- Compatible with 1.9Gbps automotive deserializer



MIPI Monitoring board SVM-06

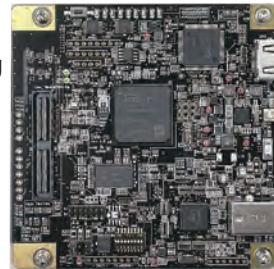
■ Over View

SVM-MIPI is a board for displaying and recording video signals of the MIPI interface.

The output destination is HDMI monitor or USB3.0 (UVC) / PC.

■ Specification

- MIPI CSI-2 supports 1.5Gbps / lane
- Output to USB3.0 (UVC) or HDMI
- Compatible with 4Gbps automotive deserializer



SVM series common specifications

- Application software: NVCap&SVMCtl,
- Test pattern output function,
- Image clipping function



Net Vision Co., Ltd.
Daiichifurukawa Bld.6F,3-8-6, Kandakajicho,
Chiyoda-ku, Tokyo, 101-0045, Japan
Tel.+81-3-5577-5662 Fax.+81-3-5577-5669



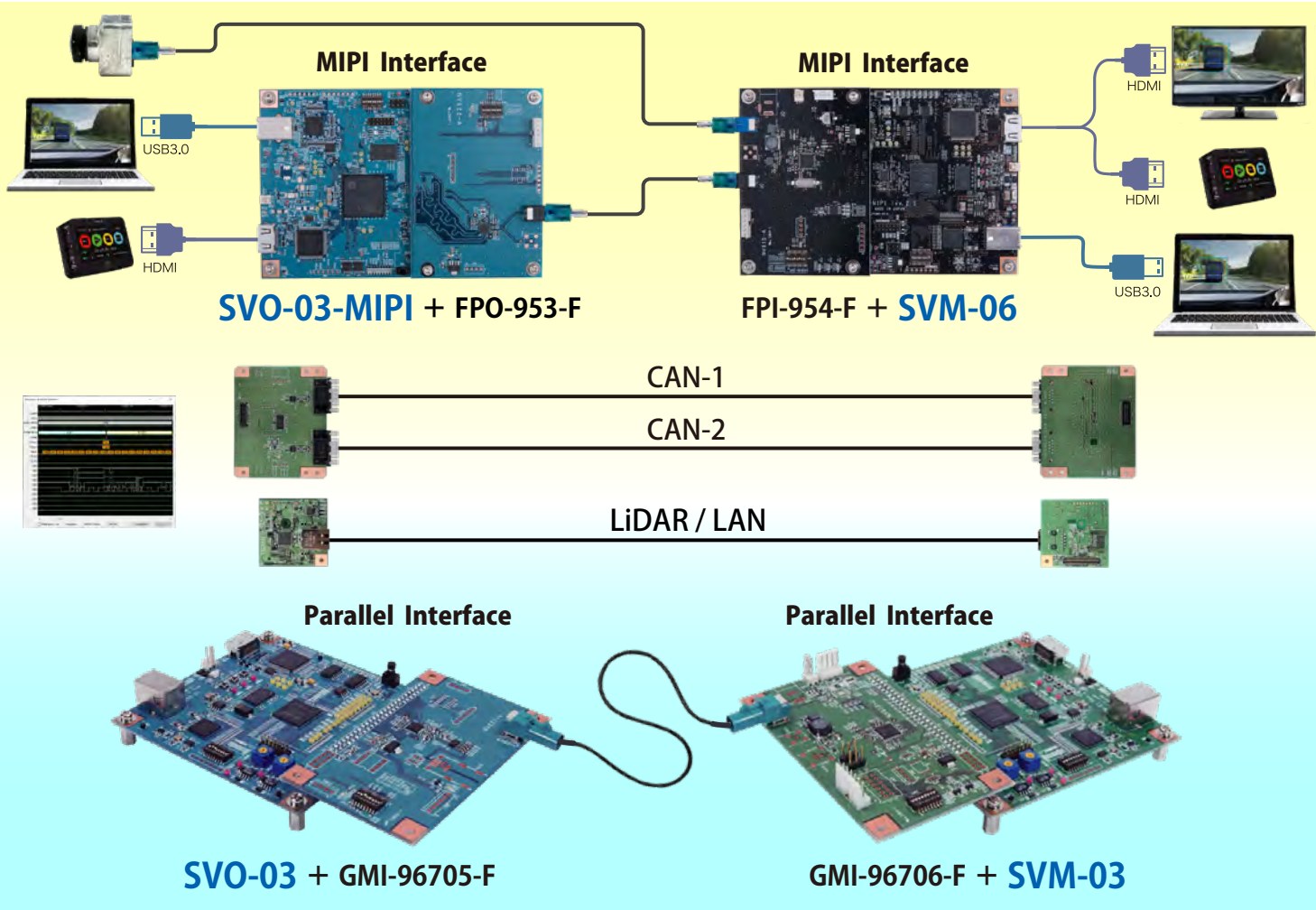
SV series

SVM-03 / SVO-03 / MIPI

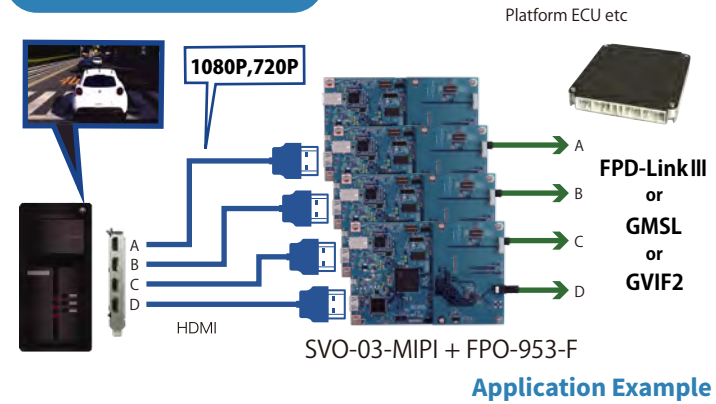
Video Capture Evaluation &
Development Support Tool

Convert Recorded images and CG images to Real images

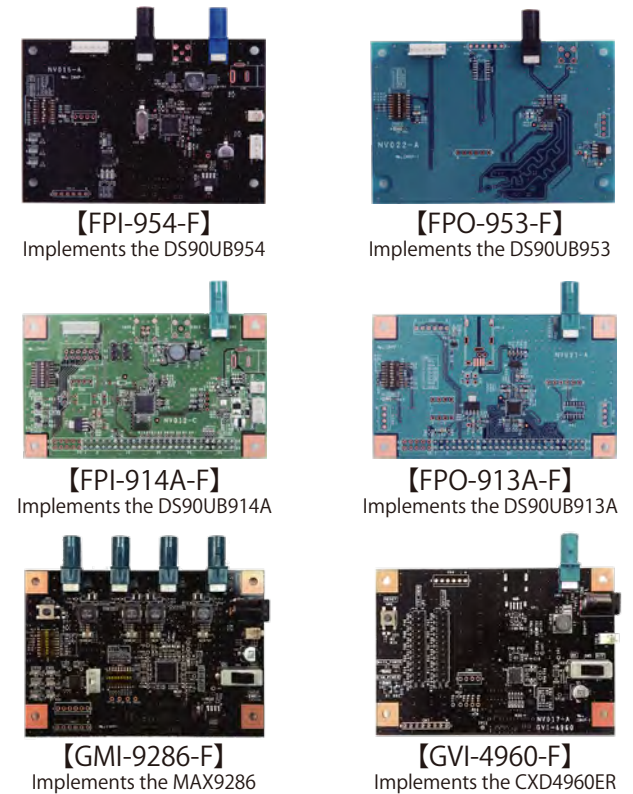
SV series can visually verify digital data. Image verification is possible with a laptop computer.



4ch.CG Emulation



SerDes board



Camera Inspection

Parallel
 MIPI CSI-2
 Jig

SerDes

FPD-LinkIII
 GMSL&GMSL2
 GVIF2

Multi Interface

USB3.0
 HDMI1.4/2.0
 CAN / LiDAR